

BIT & BEAT BLUEAMP

HIGH DEFINITION INTEGRATED AMPLIFIER

INSTRUCTION BOOK

“Powerful Integrated Amplifier”

High Performance condensed into a compact size

High performance, high output, and powerful integrated amplifier like a full-size amplifier

Hi Fi Integrated Amplifier

Installation of an ultra high speed power part ensures fast reaction and stable power supply, activating even a sensitive speaker comfortably

Convenient Expandability

Connected to BLUEDAC , it supports various digital and analog input. App remote control function using a smartphone allows convenient control.

- . Please be sure to read the “USER MANUAL” before using and then use accurately.
- . The information contained in this USER MANUAL is subject to change without prior notice in order to improve the performance of the product.

CONTENTS

Product Introduction / Features / Configuration	01
Product Structure	02
Product Usage	03~05
Product Specifications	06
Safety Precautions	07
Troubleshooting	07
Product Warranty	08

Product Introduction

BIT & BEAT's BLUEAMP is a high-performance, high-power, powerful integrated amplifier that has innovatively improved power and functionality in a compact size for hi-fi and high-end headphone users.

Product Features

BIT & BEAT BLUEAMP is a cutting-edge product with the following functions to play excellent sound.

“High Performance condensed into a compact size”

High performance, high output, and powerful integrated amplifier like a full-size amplifier

“Hi Fi Integrated Amplifier”

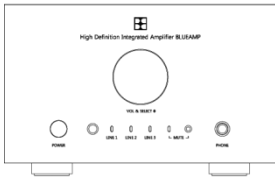
Installation of an ultra high speed power part ensures fast reaction and stable power supply, activating even a sensitive speaker comfortably

“Convenient Expandability”

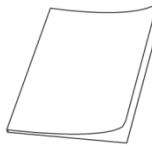
Connected to BLUEDAC , it supports various digital and analog input.

App remote control function using a smartphone allows convenient control.

Product Configuration



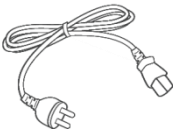
BLUEAMP Body



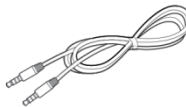
User's Manual



Remote control
(built-in battery)



Power cable (AC 220V)

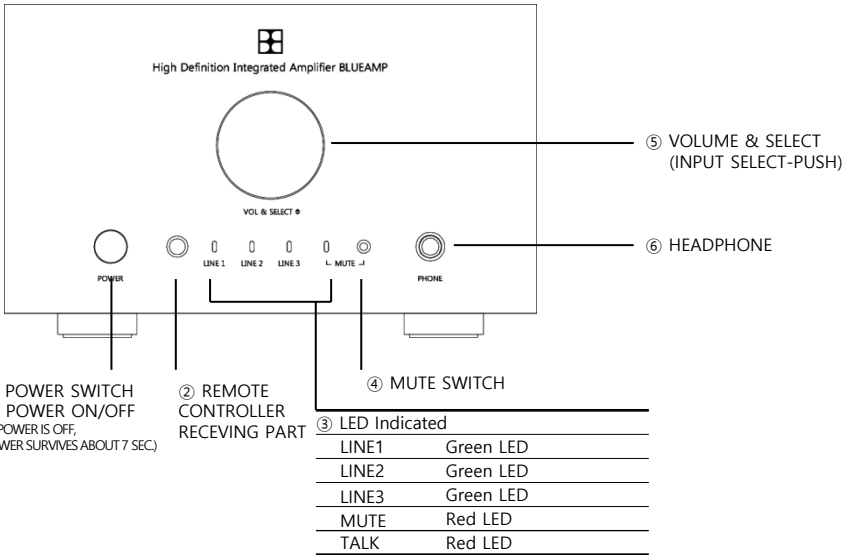


Link cable

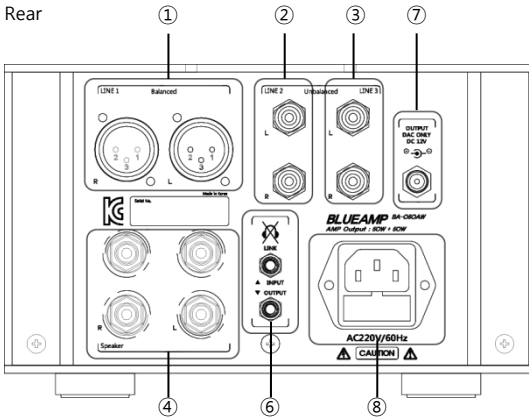
The image of this product manual is for user's understanding and may differ from the actual product and may be changed without prior notice.
Other ones than basic components can be purchased separately.

Product Structure

Front



Rear



Input part

- ① LINE INPUT1 (BALANCE)
- ② LINE INPUT2 (UNBALANCE)
- ③ LINE INPUT3 (UNBALANCE)

Output part

- ④ SPEAKER CONNECTING TERMINAL

⑤ BLUE LINK TERMINAL

BLUE Series connecting terminal

※ Never plug in other products and earphones.

Power part

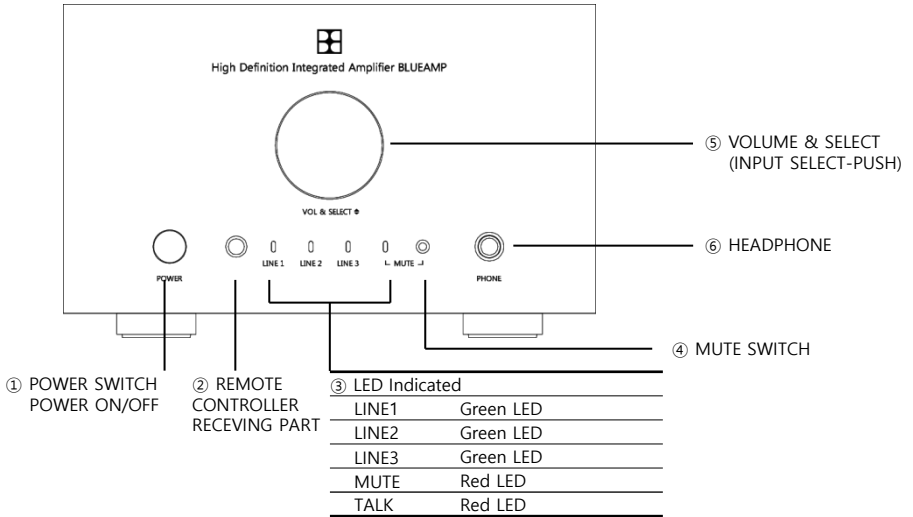
⑥ POWER INPUT TERMINAL

AC220V / 60Hz

⑦ POWER OUTPUT TERMINAL FOR
BLUEDAC

※ Supported later

Product Usage



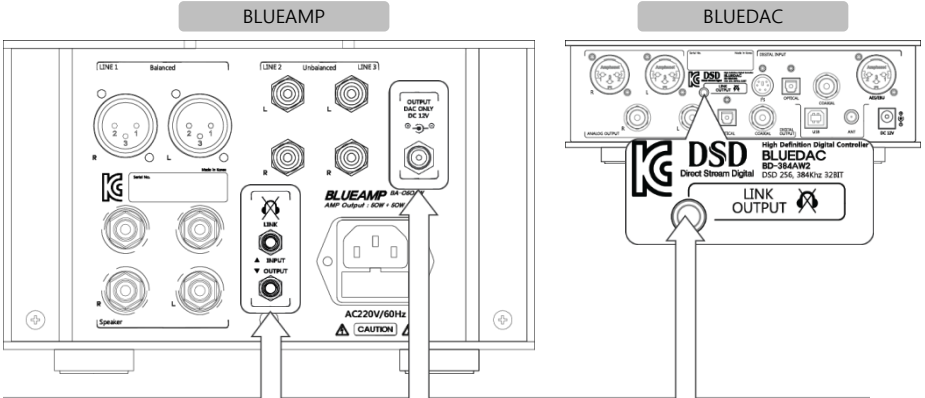
- ① POWER (Power switch)
 - ON Press briefly
 - OFF Press again (About 7 seconds of power remains)
- ② Remote control receiver
- ③ Display LED (when power is ON)
 - Default selection LINE1 LED ON (Green)
- ④ MUTE Switch (Mute Function)
 - Press once to MUTE ON MUTE LED flashes red: No sound
 - Press once again to MUTE OFF MUTE LED Off
- ⑤ VOL&SELECT Switch
 - Volume function Turn clockwise to make the sound louder (+)
 - Turn counterclockwise to make the sound smaller (-)
 - Enter the PUSH button Press once to move to LINE1,2,3
- ⑥ Headphone

The front display LED flashes three times as shown below to indicate the current volume level during volume up and down.

LED	Volume	Size	Display	LINE1	LINE2	LINE3	MUTE	Volume	Size
<p style="text-align: center;">VOL & SELECT ◀▶</p>	Level 1	Min	volume					-111.5dB ~	-64dB
	Level 2							-64dB ~	-32dB
	Level 3							-32dB ~	0dB
	Level 4	Max	volume						0dB

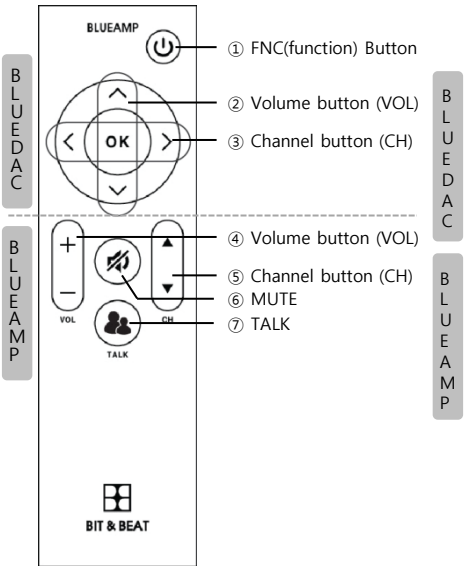
Product Usage(How to use the BLUE LINK)

1. What is BLUE LINK? It refers to the function to connect BIT & BEAT's BLUE series products (BLUEDAC, BLUEAMP ...).



※ BLUE LINK jack (terminal) is not compatible with other products. Please do not plug in the earphone because it is terminal for communication between BLUE series products.
 ※ If other products or earphones are plugged in, it may cause trouble or damage to the device.
 ※ For BLUEDAC, version 2.0 or higher is available.

리모컨 기능 설명



- ① FNC(function) Button
 - Press once to select BLUEAMP
 - Press twice to connect BLUEDAC

- ② Volume button (VOL)
 - ∧ : Increase BLUEDAC volume by 1.5dB
 - ∨ : Reduce BLUEDAC volume by 1.5dB

- ③ Channel button (CH)
 - > : Select next channel
 - < : Select previous channel

- ④ Volume button (VOL)
 - + : Increase volume by 0.5dB
 - : Reduce volume by 0.5dB

- ⑤ Channel button (CH)
 - ▲ : Select next channel
 - ▼ : Select previous channel

- ⑥ MUTE (Mute function)
 - Press once to mute, MUTE LED flashes red every 0.5 seconds
 - Press again to return to the original sound level

- ⑦ TALK (Talk function)
 - Press once to adjust the volume size that allows conversation, MUTE LED flashes every second
 - Press again to return to the original sound level

Please refer to page 5 for a description of how to use app remote control for smartphones.

Product Specifications

ITEM	SPECIFICATION	CONTENTS
Model name		BA-050AW BLUEAMP
Dimension	W x H x D [mm]	200mm X 110mm X 240mm
Weight	kg	About 6.1kg
Input		LINE INPUT1 (BALANCE) LINE INPUT2 (UNBALANCE) LINE INPUT3 (UNBALANCE)
Output	Speaker	Speaker Output Terminal (RMS 50W X 50W)
	Headphone	Headphone Output Terminal
LED	LINE 1	Green
	LINE 2	Green
	LINE 3	Green
	MUTE	Red
Input Sensitivity / Output		1Vrms / 50W per CH
Frequency Characteristics		10Hz ~ 100KHz +0dB/-0.1dB
THD+N		0.002%
S/N		91dB
GAIN		26dB
Input Impedance		20K Ω
Output Impedance		4 Ω ~ 16 Ω
Power		AC220V / 60Hz(FUSE 250V 3A)
Power Consumption		Min 43W, Max 130W
Balanced Input Pin Assignment		PIN1-----Ground PIN2-----Hot(Positive) PIN3-----Cold(Negative)
Remarks		※ If fuse in use is replaced,, be sure to use a fuse to the rated voltage.



- * This device may be exposed to heat when used at high volume for long periods of time.
- * Avoid use in confined spaces or places where ventilation is not free, especially, please keep out of reach of infants and children.

Safety Precautions



These symbols are intended to alert the user for concerns and operations that may cause hazards.



WARNING: Violating instructions may cause serious injury or death.



CAUTION: Violating the marking may cause serious injury or damage



If there is a risk of electric shock



If there is a risk of fire



WARNING

- Use only accessories or components authorized by the seller or manufacturer.



- Failure to do so may result in injury, overheating, or fire due to abnormal operation.

The seller or the manufacturer can not be held responsible for any damage or malfunction of the product caused by user's arbitrary change or modification.



- This product is a one that generates a basic heat, so a heat may be detected when used for a long time.

- Install the product at a distance from the walls and peripherals to ensure proper ventilation.



- Use this device at normal room temperature.

- Avoid hot places like flames, stoves, and flammable materials.

- Avoid places with high humidity. It may cause electric shock or malfunction.



- In case of thunder or lightning, please unplug the power cord. It may cause damage to the product due to overcurrent.

- Unplug the power plug if foreign objects get into the product or it is damaged by accident such as falling.



CAUTION



- Do not handle this device with wet hands, as it is an electronic device that is supplied with power.



- Be careful not to drop the device or to be shocked when connecting external equipment. It may be damaged.

- Insert the power plug firmly. In case of shaking or unstable condition, it may cause fire or other accidents.



- Be careful that the power cord is not pressed against heavy objects such as furniture or caught by feet, and the damaged power cord should be replaced immediately.



- Do not place containers, lights or candles containing liquids such as vases, flower pot, or cups near the product.

- When cleaning the product, please use a dry towel. There is a risk of product variation.

! If you notice unusual odor or noise when using the product, stop using it and contact your dealer immediately for action.

Troubleshooting

This manual will help you solve the most common problems.

Power is not turned on.

+ Check if the power cord is properly connected.

No sound is heard.

+ Check if the cable is properly connected to the input and output terminals of the product.

+ Make sure the device connected to the input matches the selected number.

Sound quality is poor and distorted.

+ Are all the cables connected correctly? If necessary, turn off the power, disconnect the connector, and then reconnect it. Then turn the power on again.

! This product requires aging time on the nature of the device.

! If you have any questions about using the BLUEAMP device, please contact your dealer.

Product Warranty

About the Product

- Based on the consumer compensation regulations, a warranty for the product will be provided, as shown below.

Product name		Purchase date	____ (year), __ (month), __ (day)	Serial No.	
Model name		Where to purchase		Sale price	

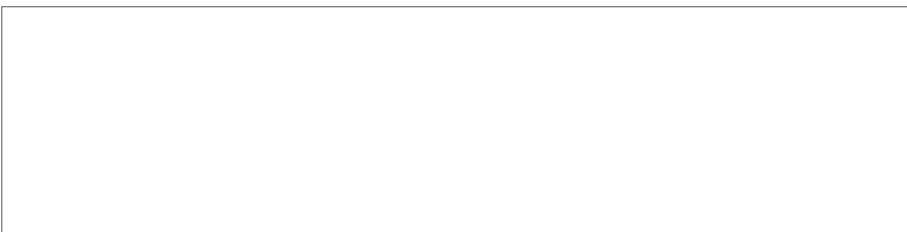


Consumer damage types	failures and defects in performance, functions that occurs naturally during normal use within retention period of the parts	Compensation details	
		Within the warranty period	After the warranty period
If the product is in need of major repairs within 10 days after purchased		Product replacement or refund of the purchase price	-
If critical parts are in need of repairs within 1 month after purchased		Product replacement	
If the replaced product is in need of major repairs within a month after replaced		Refund of the purchase price	
When replacement of parts is not possible			
Repairs available	If defects in the product are caused	Free repair	Paid repair
	After repairing, the same defects of a product are generated 4th times	Product replacement or refund of purchase price	-
Failures of the various parts are repaired, but a failure is regenerated (5th times)			
Repair is not possible	When repair is not possible	Product replacement or refund of purchase price	-
	If a repair person lost the product for repair requested by the Consumer		
	Damage caused during transportation and installation process when purchasing products	Product replacement	-

*Refunds: Refund the purchase price (receipts to be submitted)
 Please contact us for maintenance and repair at following phone number.
 If you send us brief information about a fault condition in case of a failure, it will be more convenient.

The following failures will be treated at cost.

- Failure due to user negligence
- Connection to the power supply other than rated power
- Failure due to user negligence
- Deliberate disassembly and repair by the user
- Breakdown by natural disasters (fire, flood, earthquake, lightning, etc.)
- When supplies are replaced





BIT & BEAT BLUEAMP

High Definition Integrated Amplifier